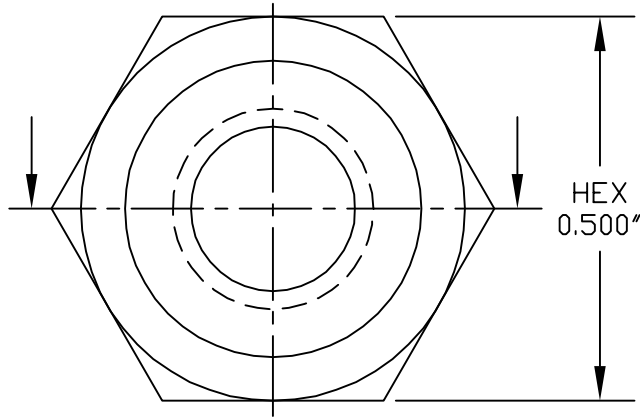
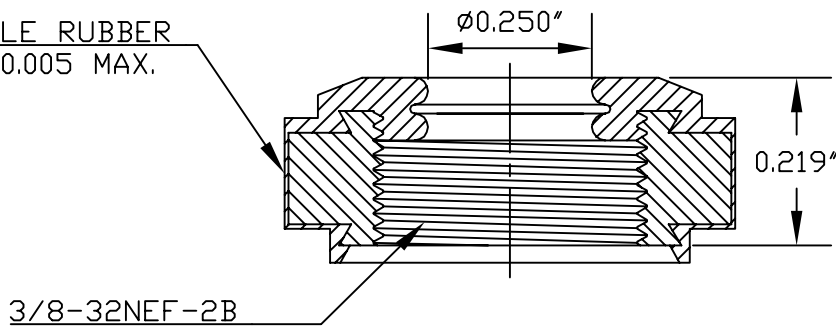


SPECIFICATIONS

Material: E-SEELS -- Silicone rubber polymer type ASTM D 1418
Mounting Nut: E-SEELS: ALUMINUM INSERT
Temperature Range: E-SEELS: -80°F to +400°F
Pressure Range: Exceeds 15 psi internal and 1500 psi external.
Operational Life: 50,000 actuations (minimum).
Shelf Life: Excess of 25 years.
Resistant to: Salt spray, sunlight, ozone, weather, fungus, and most acids and lubricating oils
Agency Recognition: E-SEELS and HEXSEALS are UL-listed to UL Std. 50 types 1-13, and meet CSA standards.
Installation: If a reducing adaptor is required - see page 14 of HEXSEAL catalog HEX200 for part numbers and drawing.



PERMISSIBLE RUBBER
OVERLAY 0.005 MAX.



H	CORRECTED DWG. NUMBER 1332/40 WAS 1232/40			07.08.08
G	CAD COMPUTER GENERATED			09.23.02
F	UPDATED			08.07.74
E	CORRECTED 11/64 WAS 9/64 and ADDED 9/64 TO RUBBER OVERLAY NOTE			10.23.68
D	REDRAWN			09.09.68
REV.	DESCRIPTION			DATE
MAXIMUM AND MINIMUM MEASUREMENTS ARE STATED DIRECTLY ON EACH DIMENSION.	TITLE:	ROTARY SHAFT SEAL		ENG. S. GOK
		(C1332/40)		DWN. S. ANDREWS
MAT'L: SILICONE RUBBER ASTM D 1418	APM-HEXSEAL CORPORATION	SCALE	DWG. NO.	07.08.08
		4 : 1		(C1332/40) E-SEEL®
FINISH: BLACK				12.11.59
		CHKD. J. CELLA	07.08.08	

THIS DRAWING COVERS PROPRIETARY ITEM AND IS THE PROPERTY OF THE APM-HEXSEAL CORPORATION.
 THIS DRAWING IS NOT TO BE COPIED OR USED WITHOUT THE WRITTEN APPROVAL OF AN OFFICER OF THE APM-HEXSEAL CORPORATION.